

brand	FLYMO
-------	-------

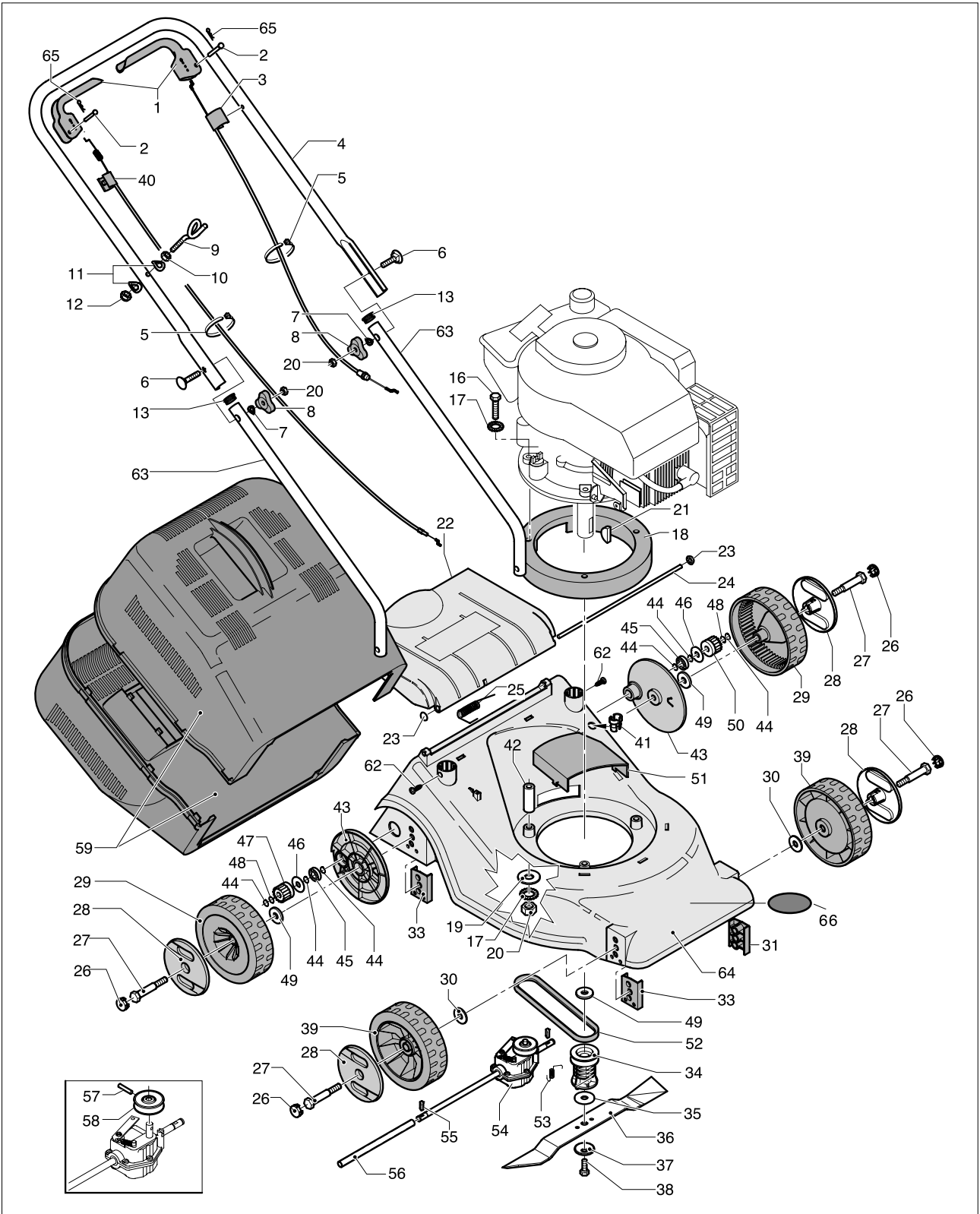
date	MAR/04	SHEET 1/2
------	--------	-----------

Model

LAWNCHIEF 400 PD

Product number

953878028



brand **FLYMO**

date **MAR\04** SHEET **02/02**

Model

LAWNCHIEF 400 PD

Product number

953878028

Pos.	PN ELX	DESCRIPTION	Q.ty
1	531206027	lever	2
2	531207409	pin	2
3	531206438	cable	1
4	531213022	upper handle	1
5	531205581	clamp	2
6	531207089	screw	2
7	531207090	washer	2
8	531204923	knob	2
9	531205169	cable hook	1
10	531207165	nut	1
11	531204961	washer	2
12	531208491	nut	1
13	531208950	plug	2
16	531205768	screw	3
17	531207981	washer	6
18	531207369	ring	1
19	531204904	washer	3
20	531207982	nut	5
21	531204907	key	1
22	531210577	deflector	1
23	531206690	washer	2
24	531206416	tie rod	1
25	531206399	spring	1
26	531210698	plug	4
27	531207977	screw	4
28	531210697	housing	4
29	531206400	wheel	2
30	531207989	washer	2
31	531206415	plate	2
32	531206384	deck	1
33	531206419	plate	2
34	531207276	bearing blade	1
35	531207243	washer	1
36	531211653	blade	1
37	531207237	washer	1
38	531206649	screw	1
39	531206401	wheel	2
40	531213021	clutch cable	1

Pos.	PN ELX	DESCRIPTION	Q.ty
41	531205557	cable lock	1
42	531206445	spacer	3
43	531206402	flange	2
44	531208772	seeger	4
45	531208778	ball-bearing	2
46	531207847	washer	2
47	531205045	pinion	1
48	531208859	washer	2
49	531207122	washer	2
50	531205046	pinion	1
51	531206408	housing	1
52	531206303	belt	1
53	531206427	spring	1
54	531206414	reducer	1
55	531205108	key	2
56	531206439	spacer tube	1
57	531206453	resilient pin	1
58	531206452	gear pulley	1
59	531206395	grass catcher	2
62	531207937	screw	2
63	531210704	handle lowere	2
64	531211135	deck	1
65	531207408	cotter pin	2
66	531212900	label	1